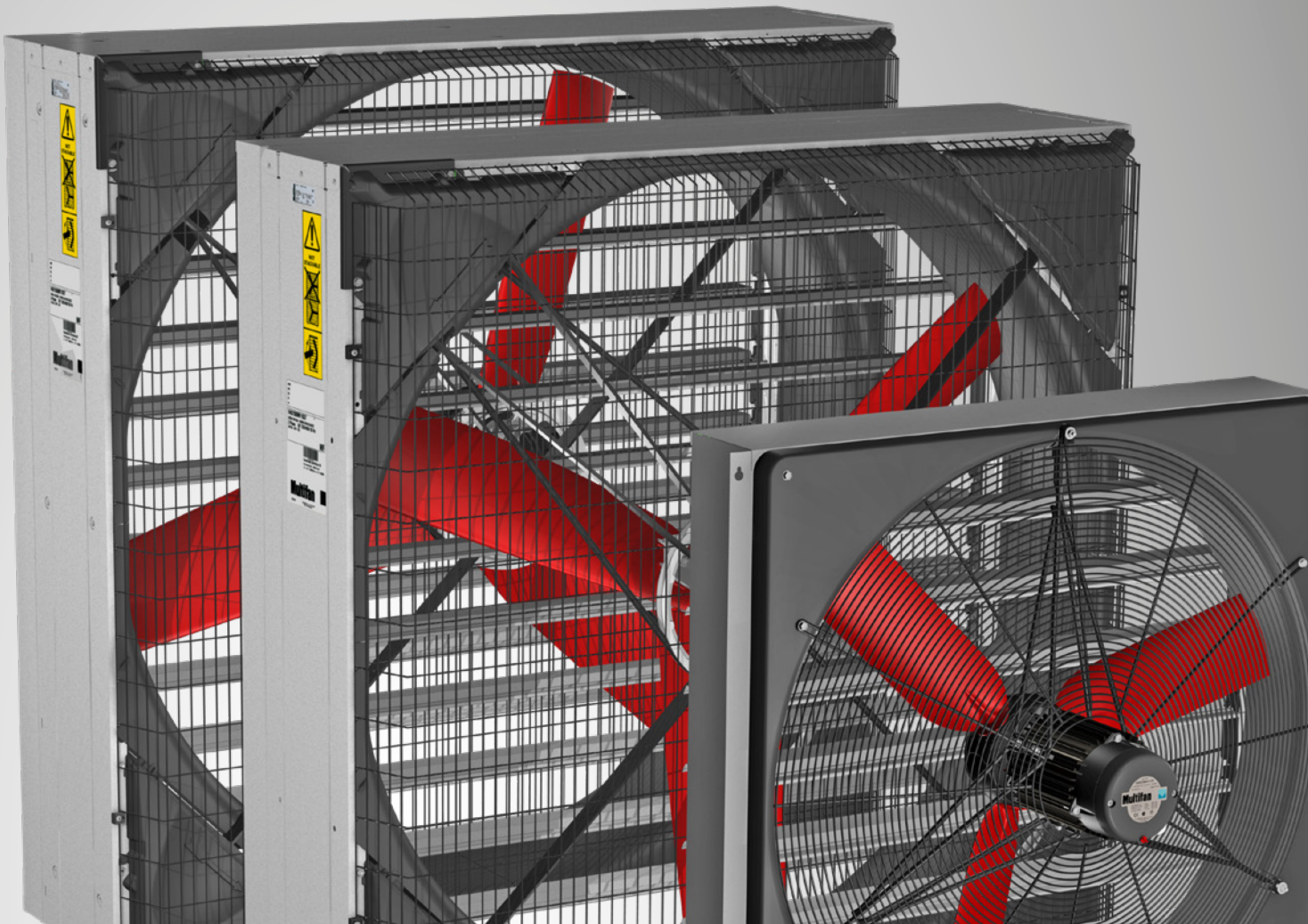


Multifan



Galvanized Box Fan

Compact and flexible



VOSTERMANS
VENTILATION

YOUR SPECIALIST IN AIR

Multifan Galvanized Box Fan

Compact and flexible

With the extensive program of Galvanized Box Fans, we offer a wide range of efficient fans for livestock houses or factories. The products are characterized by their compact design and available in various dimensions and motors. This is why these fans are an adequate all-round solution for each ventilation demand. The aerodynamic design assures effective and efficient ventilation. Depending of your need or local situation, our Galvanized Box Fan offers the solution for minimum ventilation, higher-pressure applications or high air volumes.



Energy efficient

- Aerodynamic design for low air resistance
- Complies with upcoming ErP energy regulation
- Interconnected louvers for uniform opening
- Energy efficient IE2 or IE3 motors

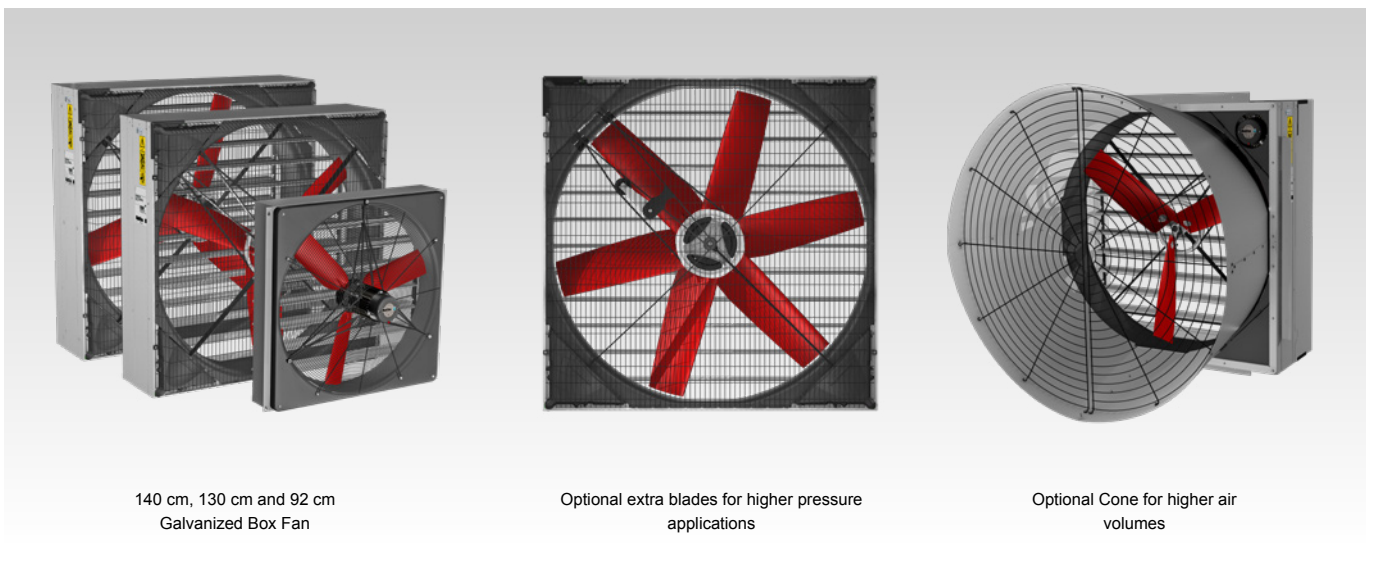
Reliable

- Materials resistant against corrosive climates
- Water and dust resistant (IP55)
- Maintenance free V-belt for 130 cm Box Fan
- Maintenance free V-belt and belt tensioner for 140 cm Box Fan
- Abrasion resistant aluminum blade-pulley
- Blades made of durable polypropylene with fiberglass
- Resistant against UV-radiation
- 3-year warranty on the motor

Options

- Available in 92 cm, 130 cm and 140 cm.
- Multiple blades for higher pressure applications
- Motors for single /three phase, 50Hz /60 Hz and different voltages
- Various shutter and wire guard options
- Butterfly shutter for 140cm Cone Fan
- Galvanized Cone Fan for higher air volumes

Please, contact our Vostermans Ventilation team for technical details.



140 cm, 130 cm and 92 cm Galvanized Box Fan

Optional extra blades for higher pressure applications

Optional Cone for higher air volumes



Multifan products are well-known for consistent high quality, durability and longevity with worldwide availability. Our motors are produced in-house, and optimal motor-impeller combination ensure energy efficient and high performance fans.

Service

Our well trained dealer network on a location near you will provide advice and service. They can work with you defining your specifications at the start of your project, support you with the installation and maintain your equipment after installation. When needed, the Vostermans Customer Care team is available for additional support. We enjoy sharing our knowledge, based on more than 65 years of experience in agriculture ventilation.

Galvanized Cone Fan

We can offer you several options so you can benefit optimally from your own situation and achieve the best possible production results. One of these options is adding a cone to the fan. Using a cone gives a decrease of the air resistance, allowing the fan an increase of 10% in air volume. Interested to hear if this would benefit for your site? Please contact us at ventilation@vostermans.com.



Galvanized Box Fan in industry



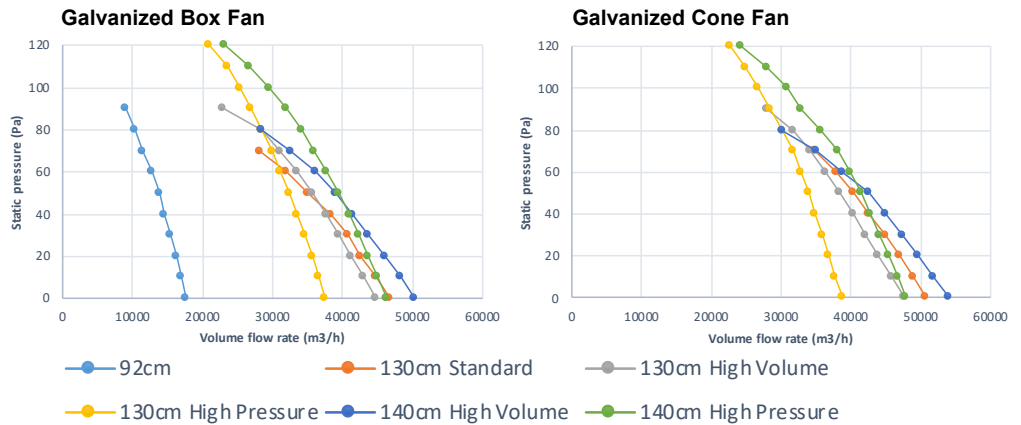
Galvanized Box Fan in greenhouse



Galvanized Cone Fan in poultry house

Technical data

Technical details depend on the fan diameter and specifications. For the most recent details, please use the Product Selector on our website (productselector.vostermans.com) or by scanning the QR code:



Dimensions (in mm)

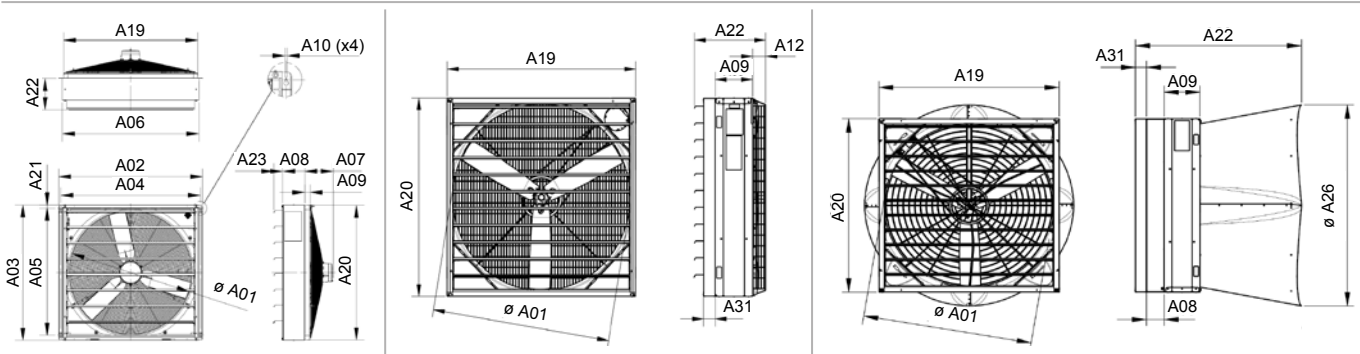


Figure 1: Galvanized Box Fan \varnothing 92 cm

Figure 2: Galvanized Box Fan \varnothing 130 and \varnothing 140 cm

Figure 3: Galvanized Cone Fan \varnothing 130 and \varnothing 140 cm

Figure	Type	A01	A02	A03	A04	A05	A06	A07	A08	A09	A10	A12	A19	A20	A21	A22	A23	A26	A31
1	Galvanized Box Fan \varnothing 92 ON/OFF	915	1080	1014	1046	947	1022	214*	165	40	6,5	-	1005	1005	25	234	72	-	-
2	Galvanized Box Fan \varnothing 130	1284	-	-	-	-	-	-	-	-	-	96	1382	1382	-	523	-	-	85
2	Galvanized Box Fan \varnothing 140	1375	-	-	-	-	-	-	-	-	-	96	1480	1480	-	548	-	-	85
3	Galvanized Cone Fan \varnothing 130	1284	-	-	-	-	-	-	135	275	-	-	1382	1382	-	1275	-	1600	85
3	Galvanized Cone Fan \varnothing 140	1375	-	-	-	-	-	-	135	295	-	-	1480	1480	-	1356	-	1657	85

* The Galvanized Box Fan 92 is also available with a controllable motor, A07 = 265 mm

Why choose Vostermans Ventilation:

<p>LOYAL TO YOU</p> <p>We care for your specific needs based on our long expertise. In close cooperation with you we secure your business outcomes.</p>	<p>RELIABLE</p> <p>Since our foundation in the Netherlands in 1952, we maintain our reputation as reliable partner. Our carefully selected global network of independent distributors strive to deliver you dedicated service and expertise.</p>	<p>FUTURE PROOF</p> <p>Our future proof approach, which combines energy efficiency solutions with robust quality and rigorous testing, is based on a genuine commitment to serve as a trusted partner.</p>
--	---	---

Vostermans Ventilation is a global developer and manufacturer of sustainable axial fans for the agricultural and industrial market. Sustainability is key for Vostermans. Their premium brandlines Multifan and EMI are showcasing the drive for advanced energy efficient fans. The company applies continuous innovation and research in their own motor production facility and in house state of the art R&D department. Vostermans Ventilation, part of Vostermans Companies founded in 1952, is based in Venlo, the Netherlands and operates in USA, China and Malaysia.



All rights reserved. Vostermans Companies is not responsible for inaccurate or incomplete data. In case of any questions and / or remarks please contact ventilation@vostermans.com. Subject to alterations 05/2018

Venlo - The Netherlands Tel. +31 (0)77 389 32 32 ventilation@vostermans.com	Bloomington, IL- USA Tel. +1 309 827-9798 ventilation@vostermansusa.com	Tmn Klang Jaya - Malaysia Tel. +60 (0)3 3324 3638 ventilation@vostermansasia.com	Shanghai - China Tel. +86 21 5290 2889/2899 ventilation@vostermanschina.com
---	--	--	--